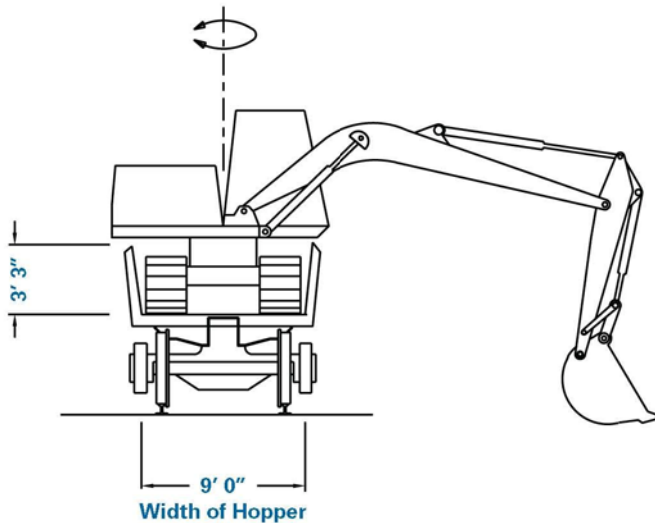
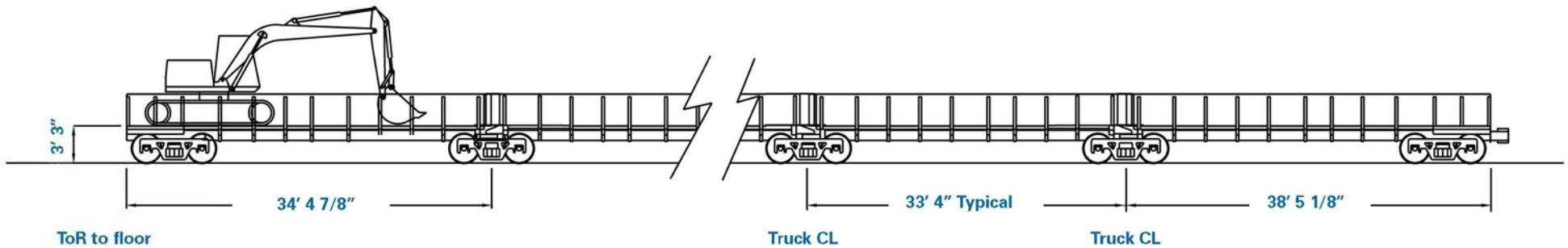


# SLOT MACHINE Work Platform



## Specifications

- 11 overlapping hopper cars permanently attached by articulated couplings. 12 100-ton trucks. SBE 67 couplers on cars 1 and 11.
- **Slot machine with digger:**  
Capacity: 500 tons of lading  
Length: 378 feet  
Light wt: 191 tons
- **Slot machine without digger:**  
Capacity: 550 tons of lading  
Light wt: 173 tons
- Running clearance: Plate C



A better way to work.

GEORGETOWN RAIL EQUIPMENT COMPANY

800.582.1803 | 512.869.1542 | www.georgetownrail.com

US Patent Nos. 4,754,710, 4,958,977, and other patents pending. Copyright 2011 by Georgetown Rail Equipment Co. All rights reserved. Note: this data is for display use only. Specifications may change without notice. Not to scale.