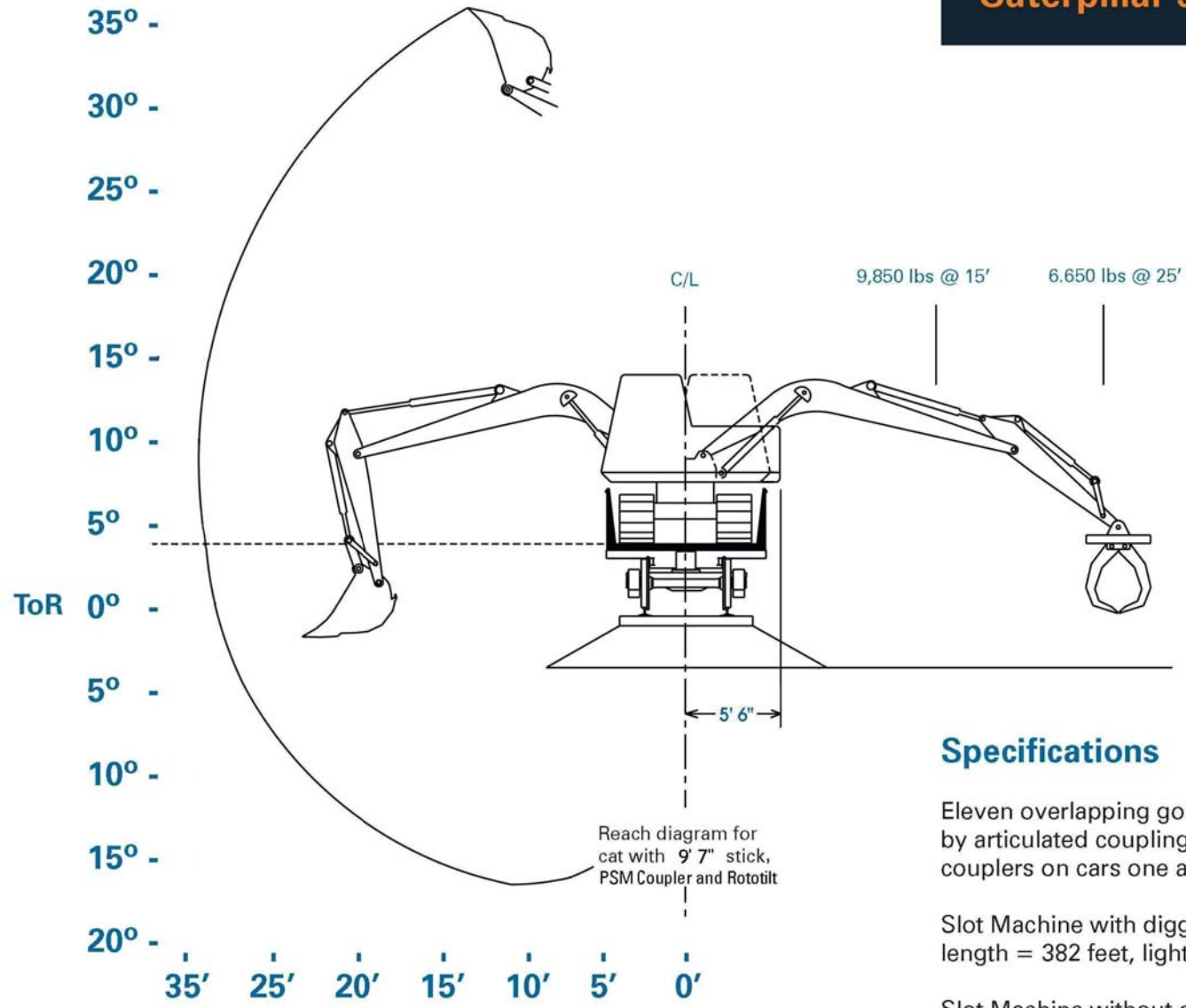


SLOT MACHINE/WORK PLATFORM Caterpillar 321 - Operating Limits



Specifications

Eleven overlapping gondola cars permanently attached by articulated couplings. Twelve 100-ton trucks. SBE 67 couplers on cars one and eleven

Slot Machine with digger: capacity = 500 tons of lading, length = 382 feet, light wt. = 191 tons

Slot Machine without digger: capacity = 550 tons of lading, light wt. = 173 tons

Running Clearance: Plate C



A better way to work.

GEORGETOWN RAIL EQUIPMENT COMPANY

800.582.1803 | 512.869.1542, ext 236 | www.georgetownrail.com

US Patent Nos. 4,754,710, 4,958,977, 5,129,327 and other patents pending.
Copyright 2011 by Georgetown Rail Equipment Co. All rights reserved.
Note: this data is for display use only. Specifications may change without notice.